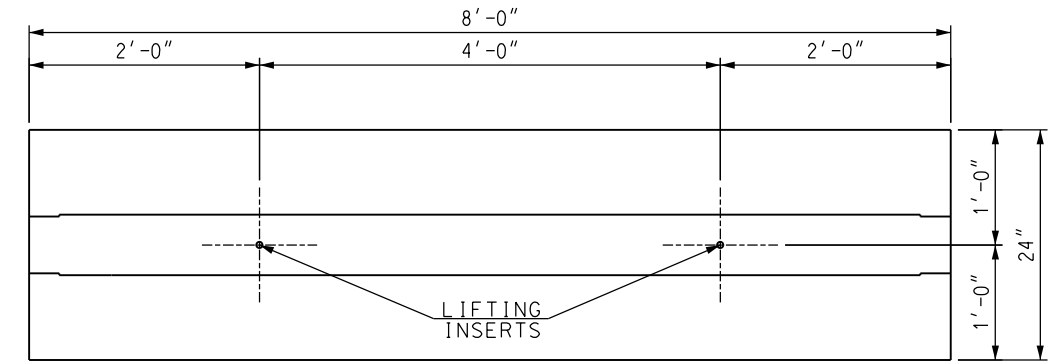
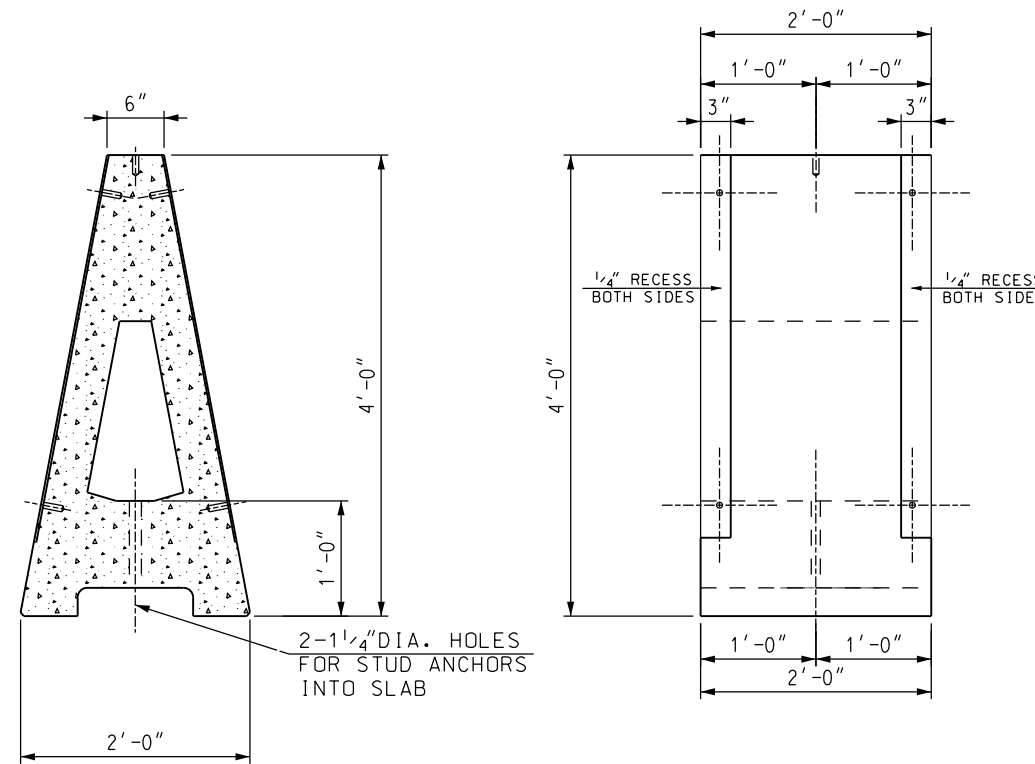
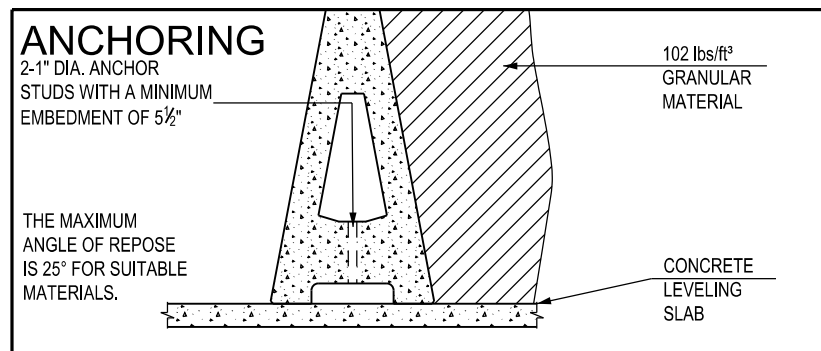
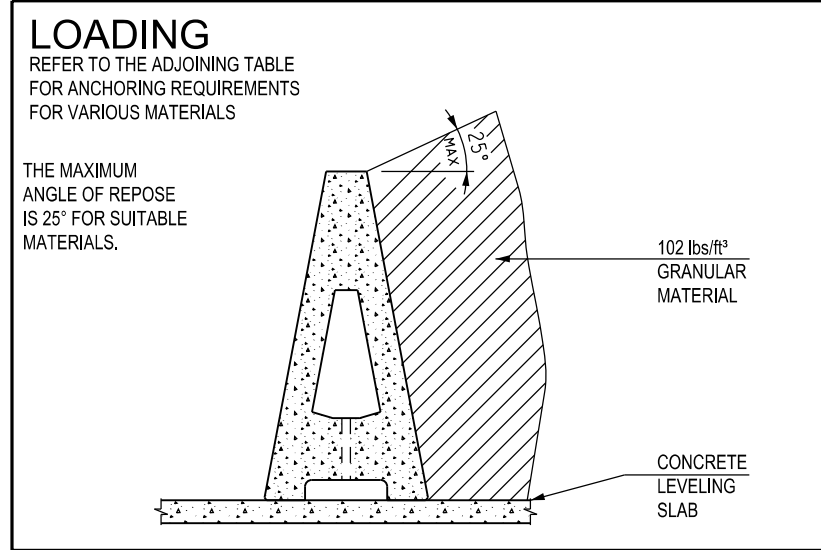
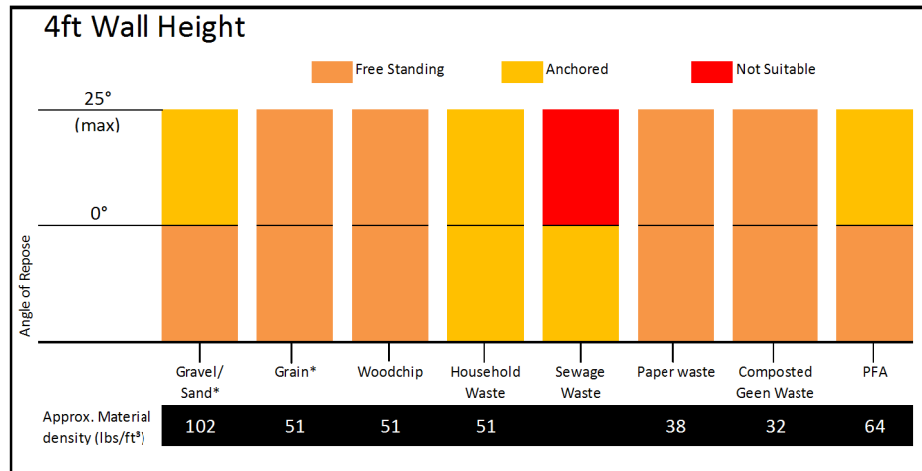


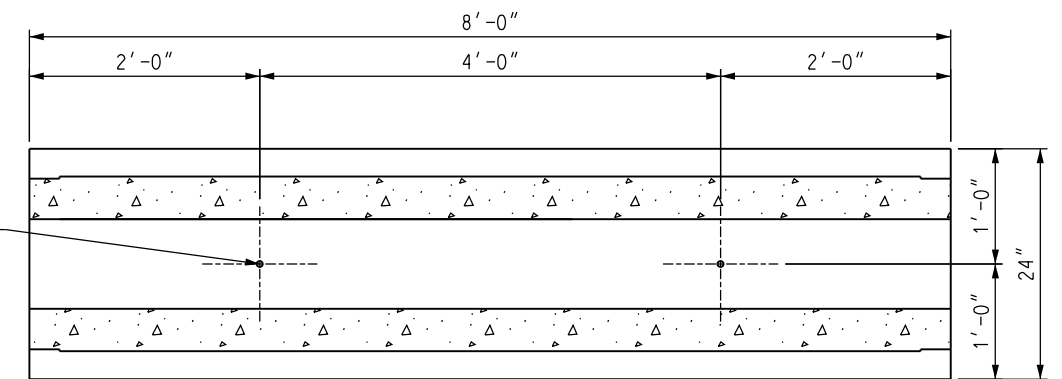
4ft Alfablok®

HEIGHT	WIDTH	THICKNESS	WEIGHT
4'-0"	8'-0"	24" at base	4950 lbs.



LIFTING INSERTS PLAN

2-1 1/4" DIA. HOLES FOR STUD ANCHORS INTO SLAB



ANCHOR BOLT PLAN